



# AWT2079TCC Camera

## USER MANUAL

ISSUED OCTOBER 2018

### **! WARNING**

Failure to follow all instructions and safety precautions in this manual, in the vehicle and body manufacturers' manuals and on the safety decals attached to the vehicle, body and this product could result in serious injury or death to operators, service technicians or bystanders and/or damage to property.

DO NOT operate the vehicle or install this product before you READ and UNDERSTAND the vehicle Operation Manual, this manual and other applicable manufacturers' manuals, and all safety decals. This product must be installed by certified technicians/installers familiar with the vehicles on which they will be making the installation.



# TABLE OF CONTENTS

## Camera

AWT2079TCC .....	3
Information .....	4
Features .....	5
How to Connect the Cable .....	6
Specifications .....	7
Installation .....	9
Dimensions .....	11
<b>Index</b> .....	<b>12</b>

## SAFETY PRECAUTIONS

### Federal Communications Commission (FCC) Statement

This Equipment has been tested and found to comply with the limits for a Class B digital device, pursuant to Part 15 of the FCC rules. These limits are designed to provide reasonable protection against harmful interference in a residential installation. This equipment generates, uses and can radiate radio frequency energy and, if not installed and used in accordance with the instructions, may cause harmful interference to radio communications. However, there is no guarantee that interference will not occur in a particular installation. If this equipment does cause harmful interference to radio or television reception, which can be determined by turning the equipment off and on, the user is encouraged to try to correct the interference by one or more of the following measures:

- Reorient or relocate the receiving antenna.
- Increase the separation between the equipment and receiver.
- Connect the equipment into an outlet on a circuit different from that to which the receiver is connected.
- Consult the dealer or an experienced radio / TV technician for help.

You are cautioned that changes or modifications not expressly approved by the party responsible for compliance could void your authority to operate the equipment.

## **NOTICE**

---

This device complies with Part 15 of the FCC Rules. Operation is subject to the following two conditions:

1. This device may not cause harmful interference and,
  2. This device must accept any interference received, including interference that may cause undesired operation
-

## PRODUCT DOCUMENTATION UPDATES

Thank you for purchasing our product. Please read this User Manual before using the product. All product documentation is subject to change without notice. Please go to [www.3rdeyecam.com](http://www.3rdeyecam.com) to get the most current documentation for your 3rd Eye products.



# 3RD EYE®

**USER MANUAL**  
**AWT2079TCC**

**AWT2079TCC CAMERA**  
**LICENSE PLATE CAMERA**

**USER MANUAL**  
**ISSUED OCTOBER 2018**  
**3E-AWT2079TCC-UM-1018**

# USER MANUAL

## AWT2079TCC

### INFORMATION

NOTE: Before attempting to hook up and operate, please read this manual.

1. To reduce the risk of electronic shock, do not remove cover or back. No user serviceable parts inside. Refer servicing to qualified service personnel.
2. Never point the camera toward the sun. It should not expose the lens directly to sun or strong light as this may damage the pick-up device.
3. Handle this camera with care. Avoid severe shock or impact to the camera as it contains sensitive parts which can be damaged by improper handling.
4. The allowance temperature range for operation of this camera is between -20 to 65°C (-4 to 146°F)

# USER MANUAL

## AWT2079TCC

### FEATURES

The AWT2079TCC is a OEM Fit camera that directly replaces the License Plate Light on the Ford Transit. This back up camera features a wide angle lens that captures the area not visible to standard rear view mirrors. The AWT2079TCC provides the custom OEM look while maintaining the light function of your license plate frame.

1. 1/3" Sony Super HAD color CCD sensor
2. Dimensions H 1.30" (33 mm) x W 2.36" (60mm) x D 1.22" (31mm)
3. Lens Angle 170°
4. Shocking Rating  $\geq 5G$ , Die Cast Aluminum Housing
5. Waterproof IP67 Rating
6. Mounting Direct Replacement of the OEM License Plate Light
7. Resolution NTSC 510x492
8. Operating Temperature -30°C to 70°C
9. Trigger Options Custom Camera Triggers - Reverse/Turn Signal Capable

# USER MANUAL

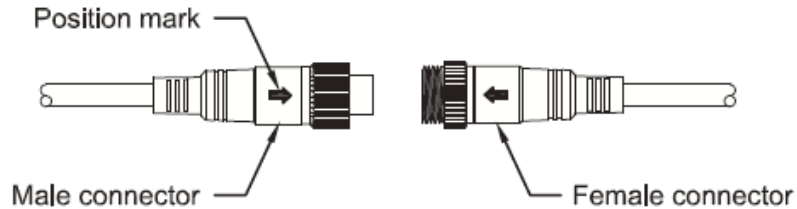
## AWT2079TCC

### HOW TO CONNECT THE CABLE

Follow the instructions below when connecting the cable and camera.

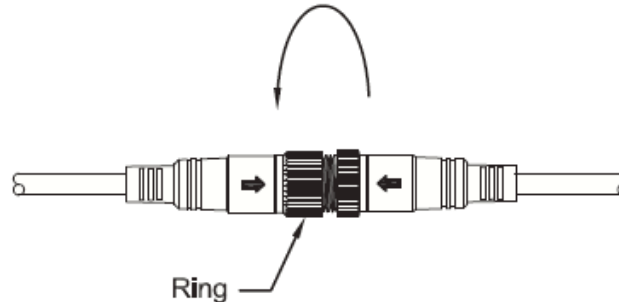
#### STEP 1:

Line up the position marks on the male connector and female connector as shown in image below.



#### STEP 2:

Rotate the ring on the male connector by hand as shown in image below.



#### STEP 3:

Then screw in securely to the threads on the female connector.

# USER MANUAL

## AWT2079TCC

### SPECIFICATIONS

<b>Enviromental</b>	
Camera IP Rating	IP67
Operating Temperature	-20°C - 70°C
Storage Temperature	-20°C - 70°C
Lens Mount Type	Board Lens 2.5mm
Viewing Angle	H:110° V:90°
Video Output	Composite 1.0 Vp-p / 75 ohm
Video Connector Type	6 pin mini din
<b>Technical</b>	
Power Source	DC12V ± 10%
Power Consumption	1.5W (MAX)
Current	125mA (MAX)
Imaging Devices	1/3".7 Digital Sensor
TV System	NTSC
Effective Pixels	648(H) x 488(V)
Visual Resolution	480 TV Lines
Sync. System	Internal

# USER MANUAL

## AWT2079TCC

### SPECIFICATIONS (CONTINUED)

Scanning System	525 Lines /60 Fields
S/N Ratio	More than 48dB (AGC OFF)
Electronic Shutter	Auto 1/60 (1/50) - 1/100,000 sec.

# USER MANUAL

## AWT2079TCC

### INSTALLATION

#### STEP 1

Choose which side to install OE Camera on. Left or Right side of license plate.

#### STEP 2

Remove factory light and replace with OE Camera. Re installation is identical to standard light. NOTE: Cameras snap in, then use provided adhesive grommet or supplied screws to secure.

#### STEP 3

Connect OE Camera to supplied harness and tap power and ground.

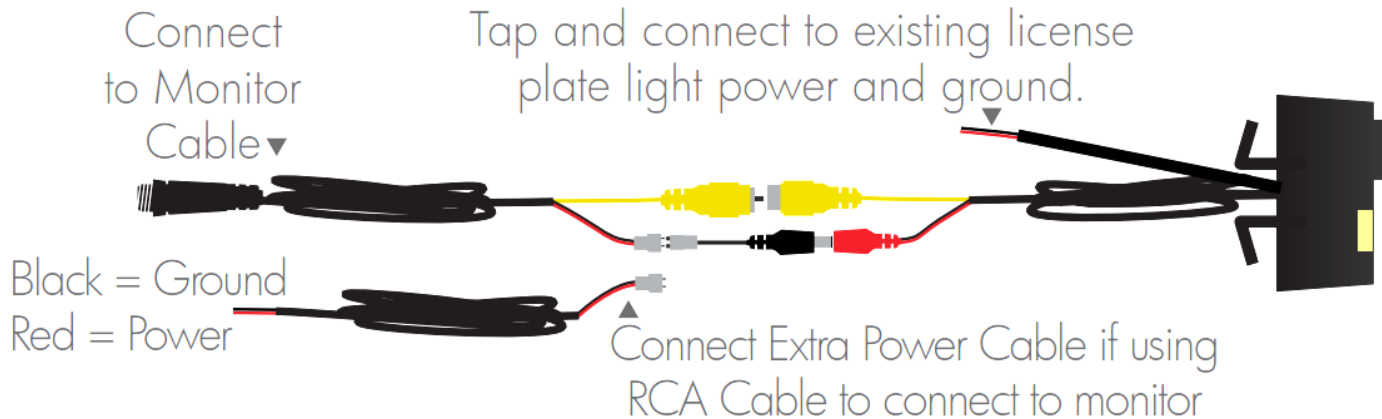
#### STEP 4

Adjust contrast and brightness setting with the monitor.

# USER MANUAL

## AWT2079TCC

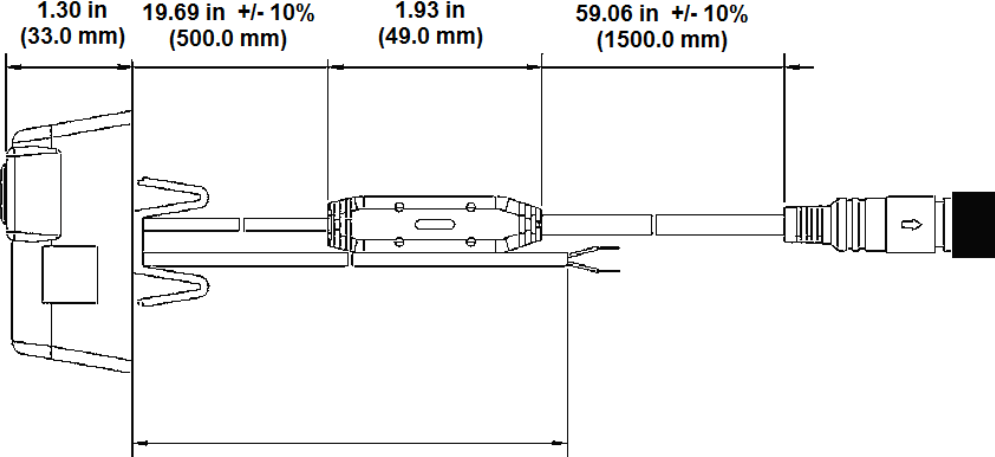
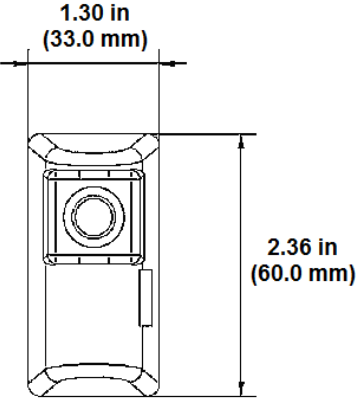
### INSTALLATION (CONTINUED)



# USER MANUAL

## AWT2079TCC

### DIMENSIONS



## D

dimensions 11

## F

features 5

## H

how to connect the cable 6

## I

installation 9

## P

package contents 4

## S

specifications 7

# 3RD EYE WARRANTY

## 3RD EYE PRODUCTS LIMITED WARRANTY

3rd Eye warrants that the 3rd Eye Hardware and Software, as delivered by 3rd Eye to Client, will be free from defects in materials and workmanship in accordance to the terms and conditions specified herein. This warranty is a "parts replacement only" policy, and does not cover labor. Other limitations apply as provided below.

## TERMS & CONDITIONS

### DEFINITIONS

- 1.1 "Hardware" means cameras, monitors, Gateway and related peripheral hardware.
- 1.2 "Software" shall mean the Application or Embedded Software.
- 1.3 "Self-Service Client" shall mean any client that maintains their own equipment and is not under Service Agreement with 3rd Eye.

### WARRANTY PERIOD

- 2.1 Unless a separate written Agreement with 3rd Eye is provided, a 1 Year warranty from the original date of hardware installation or the original date of purchase, whichever occurs first shall apply. Troubleshooting, labor, travel time, freight and miscellaneous costs are not covered.
- 2.2 New replacement hardware covered under warranty shall be covered under warranty for the remaining period of the initial warranty term.
- 2.4 Refurbished hardware and hardware installed by the customer shall carry a 90-day replacement warranty from the original date of hardware installation or the original date of purchase, whichever occurs first shall apply.
- 2.5 Labor and workmanship provided by a certified 3rd Eye technician shall carry a 90-day replacement warranty from the original date of service.

### WARRANTY REIMBURSEMENT

- 3.1 To submit for warranty reimbursement, Client must notify 3rd Eye in writing by obtaining a 3rd Eye Return Material Authorization (RMA) number within the relevant Warranty Period. The authorized RMA the Client receives must be marked on the outside of the package returning the failed component and sent prepaid and packaged appropriately for safe shipment. The RMA number will serve as the warranty claim reference number. 3rd Eye will either repair or replace the defective component at its discretion. To request for an RMA number please complete the online RMA form found at [www.3rdEyecam.com](http://www.3rdEyecam.com) or call 866.804.2984.
- 3.2 If the failure analysis of the returned hardware determines the cause of failure was other than material or workmanship covered under the terms of this limited warranty, the CUSTOMER agrees to pay 3rd Eye Cam for the replacement hardware, labor and expenses.

### WARRANTY DISCLAIMER

- 4.1 This warranty shall become null, void, and not apply if Client fails to notify 3rd Eye in writing of such defects prior to the expiration of the Warranty Period, if the defect is not reproducible, or if the defect is caused by (a) customer damage, negligence, misuse, tampering, accident, fire, variation or interruption of electricity; (b) failure by Client to properly install, maintain, or use the 3rd Eye Hardware or the Third Party Hardware; (c) alterations made by anyone other than 3rd Eye to the 3rd Eye Hardware or the hardware and/or software that interfaces with the 3rd Eye Hardware after installation; (d) any attempt to service the 3rd Eye Hardware other than by 3rd Eye's service technicians or (e) any hardware, software or part not approved by or not supplied by 3rd Eye. 3rd Eye shall not be responsible for the safeguarding or retention of Client's or any third-party software, firmware, information or memory data contained in, stored on, or integrated with any 3rd Eye Hardware that is returned to 3rd Eye pursuant to any warranty provided under this Agreement.
- 4.2 3rd Eye hereby disclaims all warranties, express, implied, or statutory, including, without limitation, the warranties of merchantability, fitness for a particular purpose. 3rd Eye makes no claim that the software will work in combination with any hardware or software products provided by third parties, that the operation of the software will be uninterrupted or error-free, that all defects in the software can be corrected, or that any specific result or outcome will be achieved by utilizing the products or third-party hardware provided by 3rd Eye.



**3RD EYE<sup>®</sup>**

[www.3rdeyecam.com](http://www.3rdeyecam.com)

3rd Eye Customer Care:  
866-804-2984

Environmental Solutions Group  
201 W. Main Street, Ste 300  
Chattanooga, TN 37408