



# AWTSL10C Camera

## USER MANUAL

ISSUED OCTOBER 2018

### **! WARNING**

Failure to follow all instructions and safety precautions in this manual, in the vehicle and body manufacturers' manuals and on the safety decals attached to the vehicle, body and this product could result in serious injury or death to operators, service technicians or bystanders and/or damage to property.

DO NOT operate the vehicle or install this product before you READ and UNDERSTAND the vehicle Operation Manual, this manual and other applicable manufacturers' manuals, and all safety decals. This product must be installed by certified technicians/installers familiar with the vehicles on which they will be making the installation.



# TABLE OF CONTENTS

## Camera

AWTSL10C .....	3
Introduction .....	4
Features .....	5
Package Contents .....	6
Dimensions .....	7
Specifications .....	8
Installation Instructions .....	9
Wiring Diagram & Pin Out .....	10
Checking and Settings .....	11
Cleaning and Caring .....	12
<b>Index</b> .....	<b>13</b>

## SAFETY PRECAUTIONS

### Federal Communications Commission (FCC) Statement

This Equipment has been tested and found to comply with the limits for a Class B digital device, pursuant to Part 15 of the FCC rules. These limits are designed to provide reasonable protection against harmful interference in a residential installation. This equipment generates, uses and can radiate radio frequency energy and, if not installed and used in accordance with the instructions, may cause harmful interference to radio communications. However, there is no guarantee that interference will not occur in a particular installation. If this equipment does cause harmful interference to radio or television reception, which can be determined by turning the equipment off and on, the user is encouraged to try to correct the interference by one or more of the following measures:

- Reorient or relocate the receiving antenna.
- Increase the separation between the equipment and receiver.
- Connect the equipment into an outlet on a circuit different from that to which the receiver is connected.
- Consult the dealer or an experienced radio / TV technician for help.

You are cautioned that changes or modifications not expressly approved by the party responsible for compliance could void your authority to operate the equipment.

## **NOTICE**

---

This device complies with Part 15 of the FCC Rules. Operation is subject to the following two conditions:

1. This device may not cause harmful interference and,
  2. This device must accept any interference received, including interference that may cause undesired operation
-

## PRODUCT DOCUMENTATION UPDATES

Thank you for purchasing our product. Please read this User Manual before using the product. All product documentation is subject to change without notice. Please go to [www.3rdeyecam.com](http://www.3rdeyecam.com) to get the most current documentation for your 3rd Eye products.



# 3RD EYE®

**USER MANUAL**  
**AWTSL10C**

**AWTSL10C CAMERA**  
**LICENSE PLATE CAMERA**

**USER MANUAL**  
**ISSUED OCTOBER 2018**  
**3E-AWTSL10C-UM-1018**

# USER MANUAL

## AWTSL10C

### INTRODUCTION

3rd Eye cameras are designed to improve safety during driving by providing high quality images of surrounding areas and obstacles in the vicinity of the vehicle.

They will also improve vehicle maneuvering capability by displaying blind spots not normally visible to the driver.

Please ensure you read and understand all aspects of this manual before fitting or using your 3rd Eye Camera. Choose a suitable mounting place dependent on the application. Ensure that there are no wiring harnesses or hoses/pipes located behind this panel before drilling.

# USER MANUAL

## AWTSL10C

### FEATURES

The camera is designed for small car rear view system. It is easy to mount on your car with the bracket being hidden by your license plate.

1. You can use the camera by a DC 12v/200mA power source
2. Very small, compact camera
3. With three-color ruler line
4. Installed on the license
5. Water resistant housing
6. Operates over a wide temperature range

# USER MANUAL

## AWTSL10C

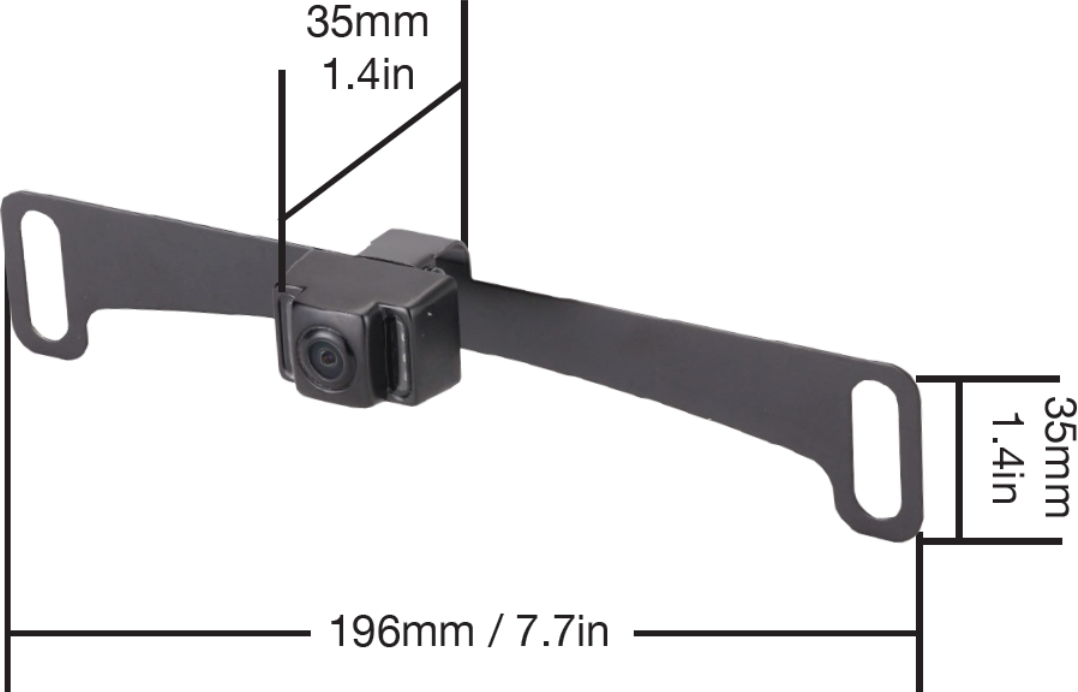
### PACKAGE CONTENTS

ITEM	QTY
Camera	1
License Plate Bracket	1
Lip Mount Bracket	1
Wiring Harness	1
Manual	1

# USER MANUAL

## AWTSL10C

### DIMENSIONS



# USER MANUAL

## AWTSL10C

### SPECIFICATIONS

Sensor Type	1/4" CMOS
Led's	0
Illumination	0.5 LUX
Viewing Angle	170 degrees
Mirror Image	Yes
Normal View	Yes
Water/Debris-Proof	IP67
Audio	No
Power Supply	9-16V DC
Current	<50mA
Working Temperature	-30°C - +70°C
Dimensions	D 1.4" (35mm) x W 7.7" (196mm) x H 1.4" (35mm)
System	NTCS
TV Lines	420
Resolution	648 x 488

# USER MANUAL

## AWTSL10C

### INSTALLATION INSTRUCTIONS

#### STEP 1

Remove the rear license plate.

#### STEP 2

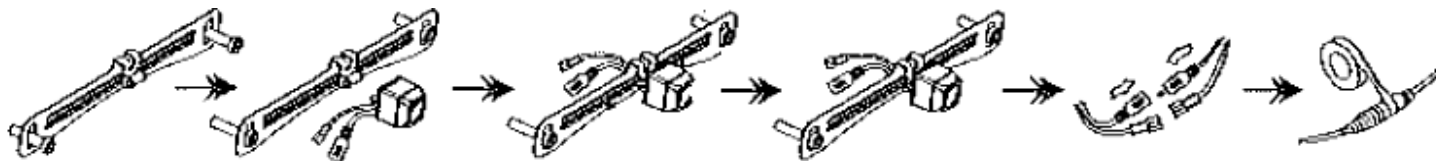
Place the bracket behind the license plate and line up the holes. Fasten the camera mounting bracket and the license plate to the vehicle using the anti-theft screws provided. Determine the mounting location that best suits your needs. Be sure to verify that your installation plan complies with local laws and regulations.

#### STEP 3

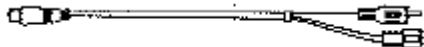
Install the camera and adjust to the correct angle.

#### STEP 4

Seal with supplied silicon tape to ensure waterproof. Run extension cable inside the vehicle.



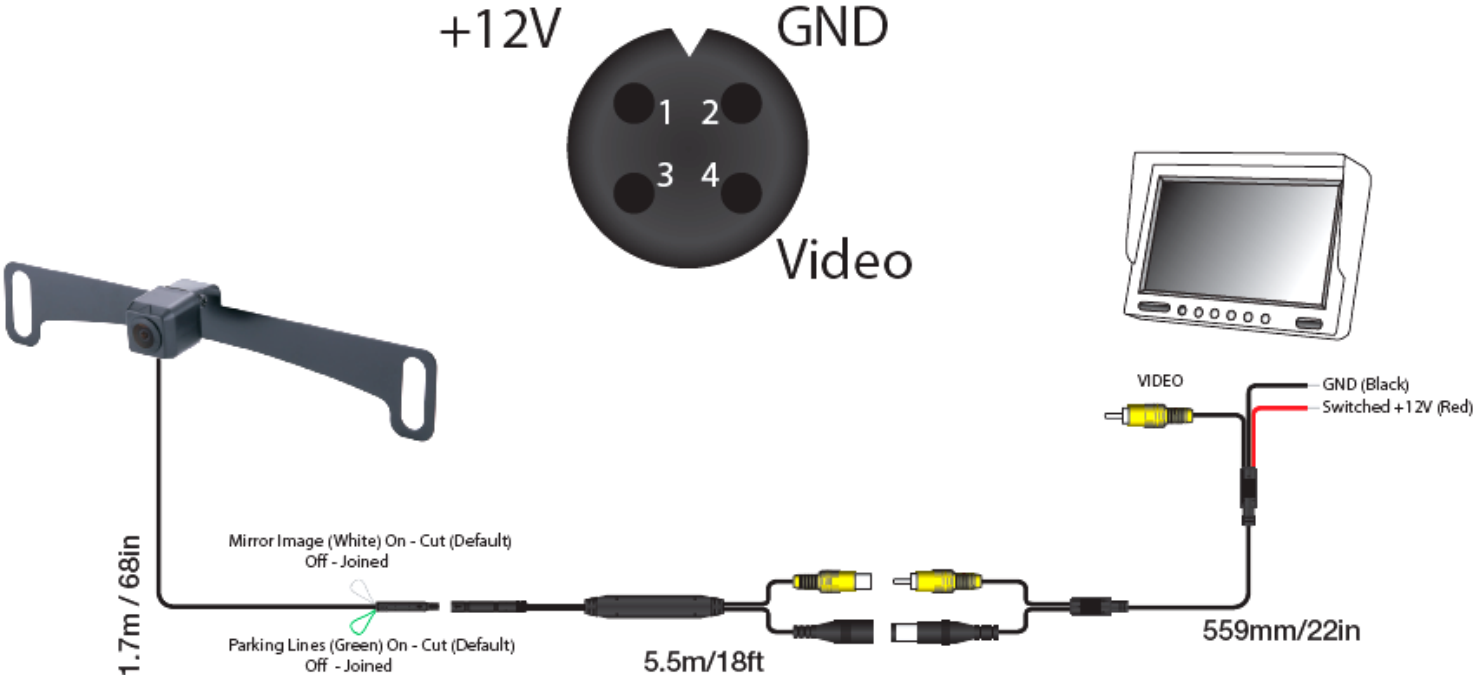
Optional adapter to connect with 4-PIN DIN plug camera:



# USER MANUAL

## AWTSL10C

### WIRING DIAGRAM AND PIN OUT



# USER MANUAL

## AWTSL10C

### CHECKING AND SETTINGS

1. Check the function of the camera after you have connected it to a monitor.
2. Align the camera using the image on the monitor to help you:
  - a. The monitor image should show the rear or the bumper of the vehicle at the bottom edge of the screen.
  - b. The middle of the bumper should be in the middle of the screen.
3. Tighten the fastening screws of the camera bracket.
4. Settings for contrast and brightness can be made on the monitor.

# USER MANUAL

## AWTSL10C

### CLEANING AND CARING

Clean the camera with a soft, damp cloth from time to time.

#### **NOTICE**

---

Do not use sharp or hard objects to clean the device as these may damage the device.

---

## D

dimensions 7

## F

features 5

## I

installation instructions

4-PIN DIN plug adapter 9

introduction 4

## P

package contents 6

## S

specifications 8

# 3RD EYE WARRANTY

## 3RD EYE PRODUCTS LIMITED WARRANTY

3rd Eye warrants that the 3rd Eye Hardware and Software, as delivered by 3rd Eye to Client, will be free from defects in materials and workmanship in accordance to the terms and conditions specified herein. This warranty is a "parts replacement only" policy, and does not cover labor. Other limitations apply as provided below.

## TERMS & CONDITIONS

### DEFINITIONS

- 1.1 "Hardware" means cameras, monitors, Gateway and related peripheral hardware.
- 1.2 "Software" shall mean the Application or Embedded Software.
- 1.3 "Self-Service Client" shall mean any client that maintains their own equipment and is not under Service Agreement with 3rd Eye.

### WARRANTY PERIOD

- 2.1 Unless a separate written Agreement with 3rd Eye is provided, a 1 Year warranty from the original date of hardware installation or the original date of purchase, whichever occurs first shall apply. Troubleshooting, labor, travel time, freight and miscellaneous costs are not covered.
- 2.2 New replacement hardware covered under warranty shall be covered under warranty for the remaining period of the initial warranty term.
- 2.4 Refurbished hardware and hardware installed by the customer shall carry a 90-day replacement warranty from the original date of hardware installation or the original date of purchase, whichever occurs first shall apply.
- 2.5 Labor and workmanship provided by a certified 3rd Eye technician shall carry a 90-day replacement warranty from the original date of service.

### WARRANTY REIMBURSEMENT

- 3.1 To submit for warranty reimbursement, Client must notify 3rd Eye in writing by obtaining a 3rd Eye Return Material Authorization (RMA) number within the relevant Warranty Period. The authorized RMA the Client receives must be marked on the outside of the package returning the failed component and sent prepaid and packaged appropriately for safe shipment. The RMA number will serve as the warranty claim reference number. 3rd Eye will either repair or replace the defective component at its discretion. To request for an RMA number please complete the online RMA form found at [www.3rdEyecam.com](http://www.3rdEyecam.com) or call 866.804.2984.
- 3.2 If the failure analysis of the returned hardware determines the cause of failure was other than material or workmanship covered under the terms of this limited warranty, the CUSTOMER agrees to pay 3rd Eye Cam for the replacement hardware, labor and expenses.

### WARRANTY DISCLAIMER

- 4.1 This warranty shall become null, void, and not apply if Client fails to notify 3rd Eye in writing of such defects prior to the expiration of the Warranty Period, if the defect is not reproducible, or if the defect is caused by (a) customer damage, negligence, misuse, tampering, accident, fire, variation or interruption of electricity; (b) failure by Client to properly install, maintain, or use the 3rd Eye Hardware or the Third Party Hardware; (c) alterations made by anyone other than 3rd Eye to the 3rd Eye Hardware or the hardware and/or software that interfaces with the 3rd Eye Hardware after installation; (d) any attempt to service the 3rd Eye Hardware other than by 3rd Eye's service technicians or (e) any hardware, software or part not approved by or not supplied by 3rd Eye. 3rd Eye shall not be responsible for the safeguarding or retention of Client's or any third-party software, firmware, information or memory data contained in, stored on, or integrated with any 3rd Eye Hardware that is returned to 3rd Eye pursuant to any warranty provided under this Agreement.
- 4.2 3rd Eye hereby disclaims all warranties, express, implied, or statutory, including, without limitation, the warranties of merchantability, fitness for a particular purpose. 3rd Eye makes no claim that the software will work in combination with any hardware or software products provided by third parties, that the operation of the software will be uninterrupted or error-free, that all defects in the software can be corrected, or that any specific result or outcome will be achieved by utilizing the products or third-party hardware provided by 3rd Eye.





**3RD EYE<sup>®</sup>**

[www.3rdeyecam.com](http://www.3rdeyecam.com)

3rd Eye Customer Care:  
866-804-2984

Environmental Solutions Group  
201 W. Main Street, Ste 300  
Chattanooga, TN 37408